

Instek Digital™ Global Administrator (GA) is a sophisticated solution for globally large-scale security installations that need centralized user account, device and alarm management. It allows centralized management of all connected cameras, devices, storage and user account. With Instek Digital™ GA, large-scale video surveillance systems can easily be managed economically and without losing overview. The entire video surveillance system can be managed as one or as individual parts. The administrator can grant rights to users and administrators, according to their authorities. For example; administrators can have access to all the servers and cameras, while operators can only allow access to limit server and/or cameras.

With this solution a project can be scaled to any magnitude and seamlessly connect multiple independent project sites into one virtual system.

Instek Digital™ GA is a comprehensive solution for centralized viewing and management of large-scale sites. With GA's web interface cameras from the entire project site, no matter the location, can be viewed centrally. Users can be managed and permissions be granted and devices can be configured. In addition the health status from each device from every project sites can be monitored. Users can see whether if a device is online or offline, CPU and memory consumption, software version and license status. Also license information can be found and license can be registered.

Instek Digital™ Global Administrator is a complete centralized video surveillance manager that brings the entire world to one location.



Key Features

- Centralized account login / logout
- Define user roles and detail behaviors
- Centralized device health monitoring (online / offline)
- Centralized permissions for device access and features
- Supports cache mechanism for maximum availability
- Supports multi-layer architecture for maximum availability
- Distributed architecture and TCP/IP protocol for all environments
- Synchronization to Microsoft Active Directory
- Auto device discovery (GA / GA-FO / hDVR / NVR / NVR-FO / mobile NVR)
- Manually add devices (GA / GA-FO / (h)DVR / NVR / NVR-FO / mobile NVR)
- Self-status report to GA-Device-Status-Log
- Support for redundant GA servers
- Manage up to 10,000 users and supports up to 500 users online concurrently
- Supports 20,000 cameras per GA server
- Supports 2,000,000 log records per GA server
- GA Failover support

INSTEK DIGITAL

Instek Digital is a video surveillance business unit of Good Will Instrument Co., Ltd. and focus on the development of high quality digital surveillance solutions. The company inherited over 20-years of surveillance experience. Instek Digital has the luxury of a strong financial background supported by Good Will Instrument Co., Ltd. – has over 40-years of electronics R&D and manufacturing experience. And Good Will Instrument Co., Ltd. is also listed on the Taiwan Stock Exchange.

Instek Digital offers a wide array of video surveillance software and hardware – under the brand of Instek Digital. The core design are based on the following principles; “User-Friendliness”, “Scalability” and “Reliability”. Instek Digital’s solutions are based on an open platform – creating seamless third party integration. With this concept Instek Digital has created a business model that can meet every aspect in today’s surveillance demand. The results speak for themselves – based on small and large projects that we have deployed around the world.

System	Model	2U	1U	
	Function	central management		
	Browser support	Chrome, IE 11 and later*		
	Architecture	distributed architecture and TCP/IP protocol for all environments		
	Microsoft Active Directory support	yes		
	Device auto-discovery	GA / GA-FO / hDVR / NVR / NVR-FO / mobile NVR		
	Failover	supports monitoring and log taking over logging		
	Redundancy	supports redundant GA servers		
	User management	up to 10,000 users and supports up to 500 users online concurrently		
	Camera management	up to 20,000 cameras per server		
	Log recorder management	up to 2,000,000 log recorders per server		
	Network interface	1 x gigabit LAN		
	Video outputs	1 x VGA		
	USB	6 x 2.0		
	Keyboard / mouse	PS/2 USB		
	Environmental	Operating temperature	0 ~ 40°C	
		Humidity	Max. 90%, non-condensing	
	Electrical	Power input	AC 100V ~ 240V	
		Dual power supply	yes	no
PSU		300W	250W	
Mechanical	Form factor	2U rackmount	1U rackmount	
	Dimensions w / wo box (WxDxH mm)	535 x 570 x 245 / 445 x 402 x 88	485 x 545 x 185 / 430 (490 incl. side rails) x 367 x 44	
	Weight w / wo box (kg)	13.2 / 8.6	9.3 / 6.2	

*) Internet Explorer only live view.

a) Product specifications and availability are subject to change without notice.

b) Instek Digital™ is a registered trademark of Good Will Instrument Co., Ltd.

Models:

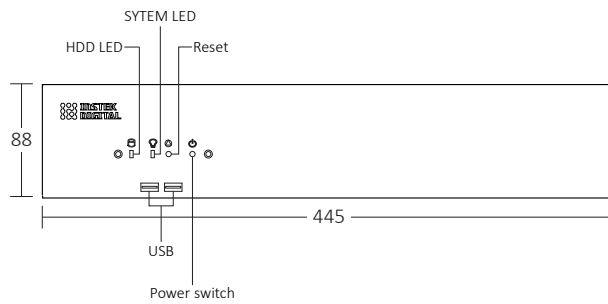
Details:

ID-GA5403-2U	Turnkey	dual power supply	Global	100 registered users	1000 channels
ID-GA5402-2U	Turnkey	dual power supply	Enterprise	50 registered users	500 channels
ID-GA5401-2U	Turnkey	dual power supply	Lite	30 registered users	200 channels
ID-GA5403-1U	Turnkey	-	Global	100 registered users	1000 channels
ID-GA5402-1U	Turnkey	-	Enterprise	50 registered users	500 channels
ID-GA5401-1U	Turnkey	-	Lite	30 registered users	200 channels
ID-GA50S3-SW	Software	-	Global	100 registered users	1000 channels
ID-GA50S2-SW	Software	-	Enterprise	50 registered users	500 channels
ID-GA50S1-SW	Software	-	Lite	30 registered users	200 channels
ID-GA50U4-SW	Software	-	-	1,000 add. users	-
ID-GA50U3-SW	Software	-	-	100 add. users	-
ID-GA50U2-SW	Software	-	-	50 add. users	-
ID-GA50U1-SW	Software	-	-	10 add users	-
ID-GA50C4-SW	Software	-	-	-	1,000 add. ch.
ID-GA50C3-SW	Software	-	-	-	100 add. channels
ID-GA50C2-SW	Software	-	-	-	50 add. channels
ID-GA50C1-SW	Software	-	-	-	10 add. channels

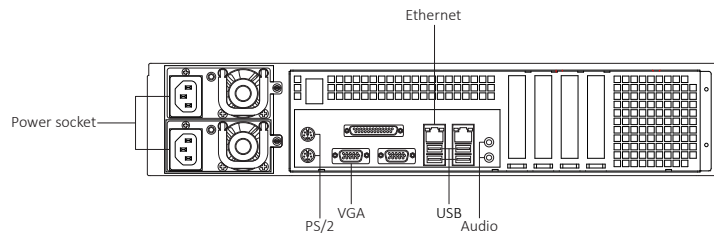
Minimum hardware requirement for Global Administrator Software solution

CPU	Intel® Core™ i5 or higher
Memory	DDR3 1600 4GB or higher
Graphics card	VESA® compatible
Storage	500G hard-disc drive
Network	Gigabit LAN NIC (10/100/1000 Mbit)

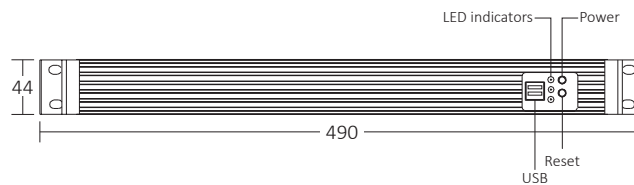
Front View ID-GA5400-2U Series



Rear View ID-GA5400-2U Series



Front View ID-GA5400-1U Series



Rear View ID-GA5400-1U Series

