

In order to fulfill ideal remote DAQ devices in IoT world, Instek Digital™ releases 3000 series, a new selection of Ethernet I/O family comprised of analog I/O, digital I/O and relay modules. The 3000 series module possesses plenty of advanced features whatever the evolution of hardware design and what's worth expecting for user is a variety of useful software functions to make it effective in the application field. With new design and strong capabilities, 3000 series can be a well-integrated I/O solution in Ethernet control system.



### Key Features

- 16-ch DI, 2-port Ethernet
- Daisy chain connection with auto-bypass protection
- Remote monitoring and control with mobile devices
- Group configuration capability for multiple module setup
- Flexible user-defined Modbus address
- Intelligent control ability by Peer-to-Peer and GCL function
- Multiple protocol support: Modbus TCP, TCP/IP, UDP, HTTP, DHCP
- Web language support: XML, HTML 5, Java Script

### INSTEK DIGITAL

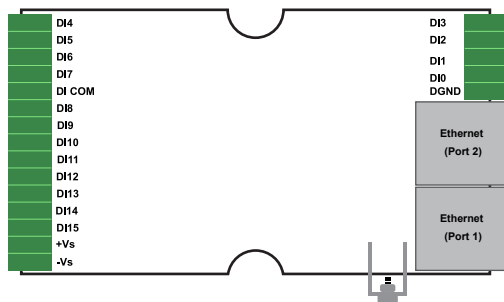
Instek Digital is a video surveillance business unit of Good Will Instrument Co., Ltd. and focus on the development of high quality digital surveillance solutions. The company inherited over 20-years of surveillance experience. Instek Digital has the luxury of a strong financial background supported by Good Will Instrument Co., Ltd. – has over 40-years of electronics R&D and manufacturing experience. And Good Will Instrument Co., Ltd. is also listed on the Taiwan Stock Exchange.

Instek Digital offers a wide array of video surveillance software and hardware – under the brand of Instek Digital. The core design are based on the following principles; “User-Friendliness”, “Scalability” and “Reliability”. Instek Digital’s solutions are based on an open platform – creating seamless third party integration. With this concept Instek Digital has created a business model that can meet every aspect in today’s surveillance demand. The results speak for themselves – based on small and large projects that we have deployed around the world.

<b>Digital input</b>	Channels	16
	Dry contact (decided by switch)	logic 0: open   logic 1: closed to DGND
	Wet contact (decided by switch)	logic 0: 0 ~ 3 V <sub>DC</sub> or 0 ~ -3 V <sub>DC</sub>   logic 1: 10 ~ 30 V <sub>DC</sub> or -10 ~ -30 V <sub>DC</sub>
	Input impedance	5.2kΩ (wet contact)
	Transition time	0.2ms
	Frequency input range	0.1 ~ 3kHz
	Counter input	3kHz (32 bit + 1 bit overflow)
<b>General</b>	Ethernet	2-port 10/100 Base-TX (for Daisy Chain)
	LED indication	16 DI
	Protocol	modbus/TCP, TCP/IP, UDP, HTTP, DHCP, MQTT, SNMP
	Connector	plug-in 5P/15P screw terminal blocks
	Power input	10- 30 V <sub>DC</sub> (24 V <sub>DC</sub> standard)
	Watchdog timer	system (1.6 seconds)   communication (programmable)
	Protection	built-in TVS/ESD protection   power reversal protection   over voltage protection: +/- 35 V <sub>DC</sub>   isolation protection 2500 V <sub>DC</sub>
<b>Environmental</b>	Environment temperature	-40 ~ 70°C (operating)   -40 ~ 80°C (storage)
	Humidity temperature	20 ~ 95% RH (non-condensing)   0 ~ 95% RH (non-condensing)
<b>Electrical</b>	Power consumption	2.7W @ 24V <sub>DC</sub>
<b>Mechanical</b>	Dimensions (WxDxH mm)	70 x 122 x 27
	Enclosure	PC
	Mounting	DIN 35 rail, stack, wall
<b>Software</b>	.NET Class Library (SDK)	Windows and Windows CE Class Library, VB and VC# Sample Code for I/O Reading or Configuration and Communication
	Adam/Apax .NET Utility	Network Setting, I/O Configuration, Data Stream, P2P, GCL Configuration

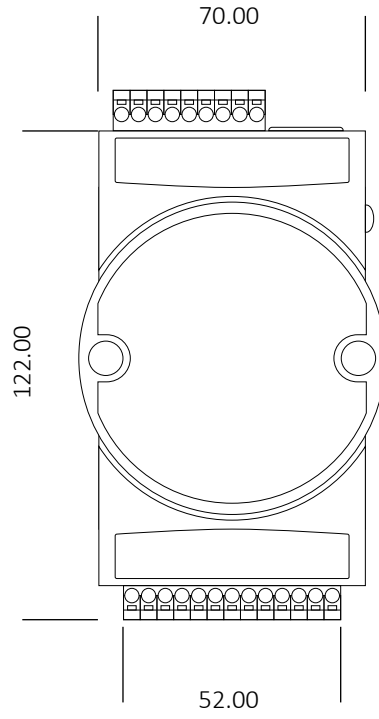
a) Product specifications and availability are subject to change without notice.  
 b) Instek Digital™ is a registered trademark of Good Will Instrument Co., Ltd.

## Pin Assignment



**Model:** ID-IO3000-1600

Front View ID-IO3000-1600



Side View ID-IO3000-1600

