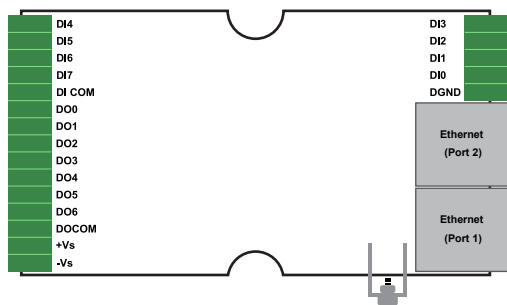




<b>Digital input</b>	Channels	8
	Dry contact (decided by switch)	logic 0: open   logic 1: closed to DGND
	Wet contact (decided by switch)	logic 0: 0 ~ 3 V <sub>DC</sub> or 0 ~ -3 V <sub>DC</sub>   logic 1: 10 ~ 30 V <sub>DC</sub> or -10 ~ -30 V <sub>DC</sub>
	Input impedance	5.2kΩ (wet contact)
	Transition time	0.2ms
	Frequency input range	0.1 ~ 3kHz
	Counter input	3kHz (32 bit + 1 bit overflow)
<b>Digital output</b>	Channels	7 (sink type)
	Output voltage range	10 ~ 30 V <sub>DC</sub>
	Normal output current	100 mA (per channel)
<b>General</b>	Pulse output	up to 5kHz
	Delay output	high-to-low and low-to-high
	Ethernet	2-port 10/100 Base-TX (for Daisy Chain)
	LED indication	8 DI + 7 DO
	Protocol	modbus/TCP, TCP/IP, UDP, HTTP, DHCP, MQTT, SNMP
	Connector	plug-in 5P/15P screw terminal blocks
	Power input	10- 30 V <sub>DC</sub> (24 V <sub>DC</sub> standard)
	Watchdog timer	system (1.6 seconds)
	Protection	built-in TVS/ESD protection   power reversal protection   over voltage protection: +/- 35 V <sub>DC</sub>   isolation protection 2500 V <sub>DC</sub>
	<b>Environmental</b>	Environment temperature
Humidity temperature		20 ~ 95% RH (non-condensing)   0 ~ 95% RH (non-condensing)
<b>Electrical</b>	Power consumption	3.0W @ 24V <sub>DC</sub>
<b>Mechanical</b>	Dimensions (WxDxH mm)	70 x 122 x 27
	Enclosure	PC
	Mounting	DIN 35 rail, stack, wall
<b>Software</b>	.NET Class Library (SDK)	Windows and Windows CE Class Library, VB and VC# Sample Code for I/O Reading or Configuration and Communication
	Adam/Apax .NET Utility	Network Setting, I/O Configuration, Data Stream, P2P, GCL Configuration

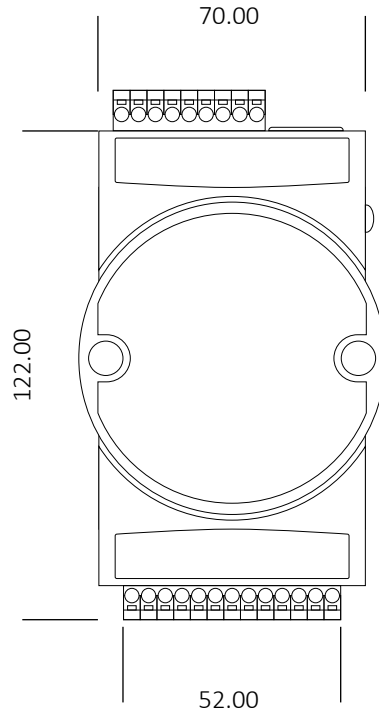
a) Product specifications and availability are subject to change without notice.  
 b) Instek Digital™ is a registered trademark of Good Will Instrument Co., Ltd.

## Pin Assignment



**Model:** ID-IO3000-0807

Front View ID-IO3000-0807



Side View ID-IO3000-0807

